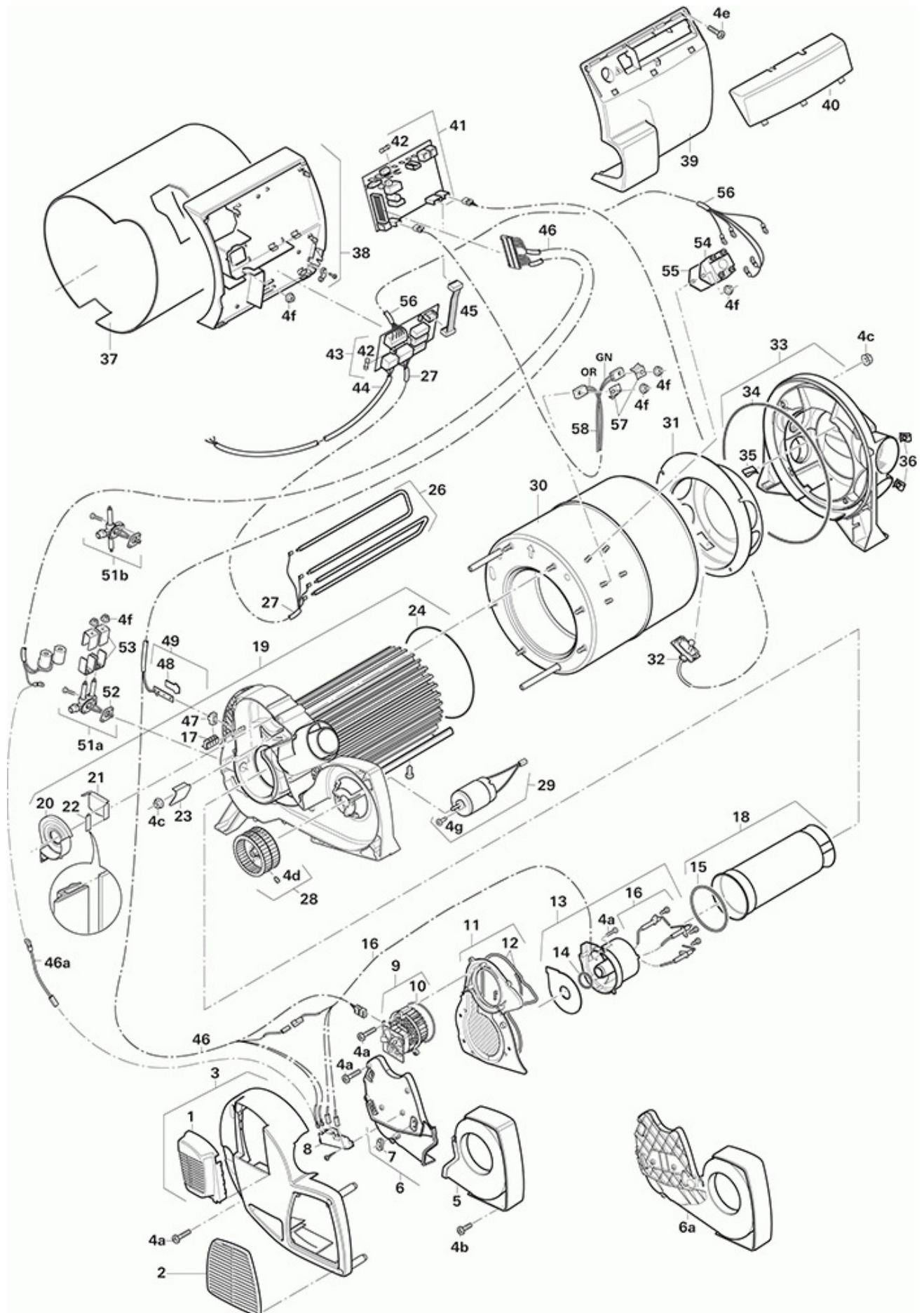


Truma/HEATING SYSTEMS/Combi/Spare parts .../Combi 6 E



Pos.	Part-No.	Description	Information
01	34020-07100	Cover combustion air	
02	34020-07300	Grill	
03	34020-21600	Cover circulation air	without grill
04	34020-60000	Screw / nut set	a = M4x16 Torx, b = M4x12 Torx, c = M5, d = AM4x4, g = M4x6, e = PT-40x12 Torx, f = M4
05	34020-65000	Cover circulation air right	
06	34020-65200	Cover circulation air left E	
06a	00000-00001	not available	Cover circulation air, spare parts pos. 05 and 06
07	34020-09900	Leadtrough bushing	
08	34020-60200	Ignitor	
09	34020-60300	Combustion air motor	with roand cord seal pos. 10
10	34020-08700	Round cord seal 79 x 3 mm	
11	34020-60500	Cover combustion air E	with roand cord seal pos. 12
12	34020-60600	Round cord seal set	
13	34020-60700	Burner pot complete	with pos. 14, 16, screws, cable bushing pos. 17 and sealing bracket, coated pos. 52
14	10030-24200	O-ring 22 x 3	
15	34020-08800	Round cord seal	
16	34020-60800	Ignitor plug kit c/w screws	with o-ring pos. 14, roand cord sea pos. 12 and 15 and sealing bracket, coated pos. 52
17	34020-08600	Cable bushing	
18	34020-60900	Flame tube	with roand cord seal pos. 15
19	34020-61000	Heat exchanger c/w warm air outlets	c/w form seal pos. 24
20	34020-01500	Ring	
21	34020-10700	Acoustic plate 1	
22	34020-19700	Profiled gasket	Pay attention to installation position!
23	34020-10800	Acoustic plate 2	
24	34020-55000	Form seal	Replacement for O-ring 34020-04900 (used up to 12/09)
26	34020-61100	Heating elements	Installation kit part no. 34030-04100 must be used.
27	34020-61200	Cable harness heating elements	
28	34000-04700	Fan wheel - air	with threaded bolt
29	34020-61300	D.C. motor	with screws
30	34020-64500	Water container CB / CB E	must be ordered up to ser.no. 19009000: for TB 34020-63900 and 34020-16900, or for JG 34020-64000 and 34020-16200.
31	34020-61400	Interior air hood	
32	34020-61500	Thermostat plate LTF	Air temperature sensor
33	34020-61600	Warm air distributor assembly	with pos. 35 and 36
34	00000-00004	is no longer required	Roand cord seal not required as of ser.no. 20147001 and also no longer needs to be installd in older units.
35	34020-53100	Clip	from fabrication number 19264001
	34020-		

36	24000	Clips, 4 pieces	
37	34020-95900	Enveloppe HDF- Therm black	
38	34020-61700	Electronic housing	with strain relief plate
39	34020-61800	Electronic housing lid	
40	34020-06500	Combi connection cover	
41	34030-18500	Exchange-Electronic CB 6/ 6 E	until return of part the original price will be charged
41	34030-18300	Electronic CB 6/ 6 E	
42	34010-05900	Fuse 10 AT, H	
43	34020-63800	Power electronics	
44	34020-62300	Cable 230 V, 1,6 m	
45	34020-09300	Cable E-PCB	
46	34020-62400	Cable harness CB 6 / 6 E	c/w pos.46a
46a	34020-57000	Earth cable - flint ignitor	see info
47	34020-62800	Holder thermostat plate device	
48	34020-14900	Insulating plate for thermostat plate	
49	34020-63300	Thermostat plate device CB 6 / 6 E	combustion air temperature, with holder pos. 47 and insulating plate pos. 48
51a	34020-59000	Solenoid valve	from 05/2013, with sealing bracket, coated and screws
51b	34020-63000	Solenoid valve	until 04/2013, with sealing bracket, coated and screws
52	34020-52900	Sealing bracket, coated	
53	70000-54600	Set coil holders	
54	34020-08200	Switch WTS 230 V with socket	
55	34020-11000	Levelling plate	
56	34020-63100	Water temperature switch cable	
57	34020-03500	Heat conducting plate	
58	34020-63200	Water temperature sensor/switch cable harness	