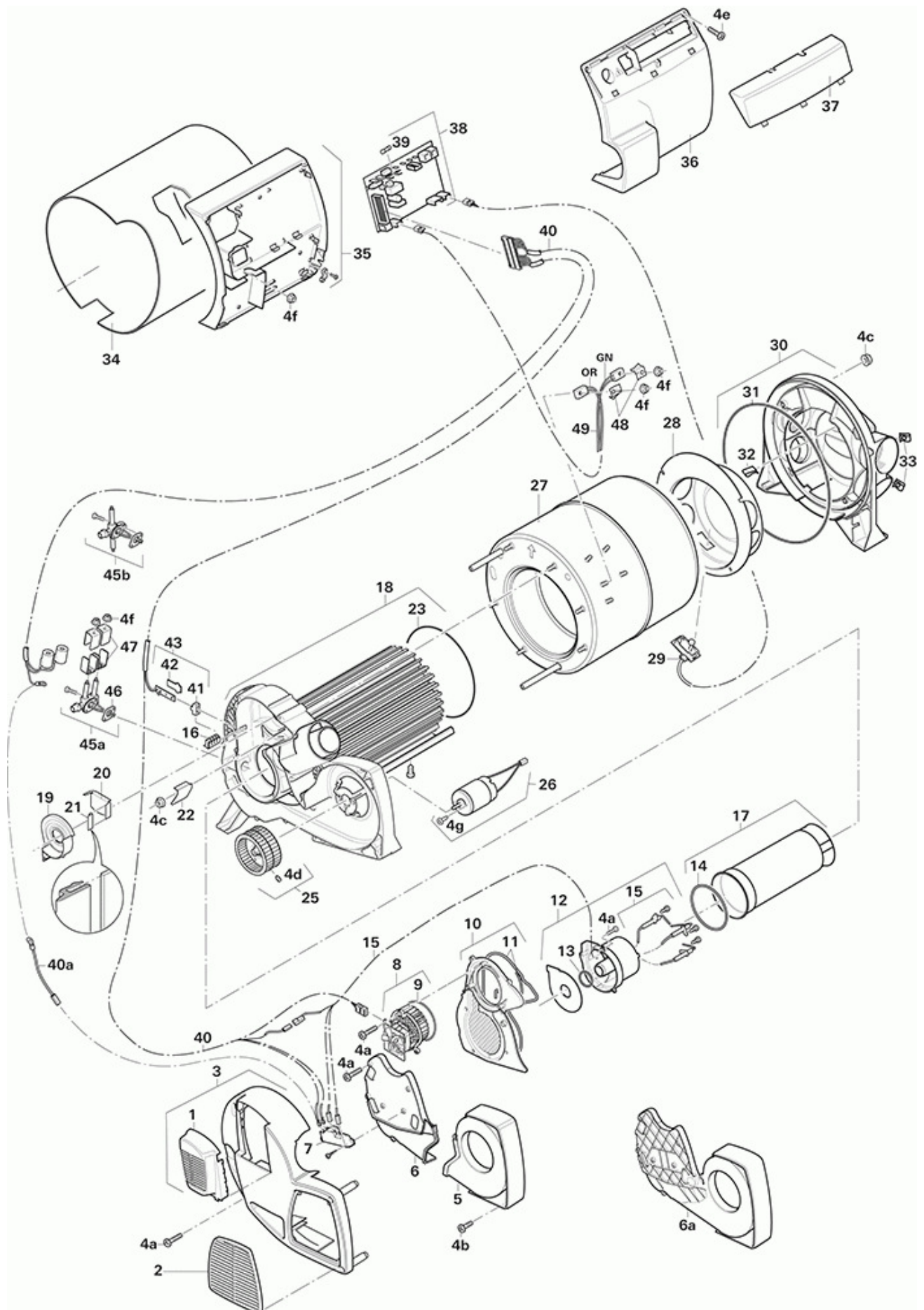


Truma/HEATING SYSTEMS/Combi/Spare parts .../Combi 4



Pos.	Part-No.	Description	Information
01	34020-07100	Cover combustion air	
02	34020-07300	Grill	
03	34020-21600	Cover circulation air	without grill
04	34020-60000	Screw / nut set	a = M4x16 Torx, b = M4x12 Torx, c = M5, d = AM4x4, g = M4x6, e = PT-40x12 Torx, f = M4
05	34020-65000	Cover circulation air right	
06	34020-65100	Cover circulation air left	
06a	00000-00001	not available	Cover circulation air, spare parts pos. 05 and 06
07	34020-60200	Ignitor	
08	34020-60300	Combustion air motor	with roand cord seal pos. 9
09	34020-08700	Round cord seal 79 x 3 mm	
10	34020-60400	Cover combustion air	with roand cord seal pos. 11
11	34020-60600	Round cord seal set	
12	34020-60700	Burner pot complete	with pos. 13, 15, screws, cable bushing pos. 16 and sealing bracket, coated pos. 46
13	10030-24200	O-ring 22 x 3	
14	34020-08800	Round cord seal	
15	34020-60800	Ignitor plug kit c/w screws	with o-ring pos. 13, roand cord sea pos. 14 and sealing bracket, coated pos. 46
16	34020-08600	Cable bushing	
17	34020-60900	Flame tube	with roand cord seal pos. 14
18	34020-61000	Heat exchanger c/w warm air outlets	c/w form seal pos. 23
19	34020-01500	Ring	
20	34020-10700	Acoustic plate 1	
21	34020-19700	Profiled gasket	Pay attention to installation position!
22	34020-10800	Acoustic plate 2	
23	34020-55000	Form seal	Replacement for O-ring 34020-04900 (used up to 12/09)
25	34000-04700	Fan wheel - air	with threaded bolt
26	34020-61300	D.C. motor	with screws
27	34020-64500	Water container CB / CB E	must be ordered up to ser.no. 19009000: for TB 34020-63900 and 34020-16900, or for JG 34020-64000 and 34020-16200.
28	34020-61400	Interior air hood	
29	34020-61500	Thermostat plate LTF	Air temperature sensor
30	34020-61600	Warm air distributor assembly	with pos. 32 and 33
31	00000-00004	is no longer required	Roand cord seal not required as of ser.no. 20147001 and also no longer needs to be installd in older units.
32	34020-53100	Clip	from fabrication number 19264001
33	34020-24000	Clips, 4 pieces	
34	34020-95900	Enveloppe HDF- Therm black	
35	34020-61700	Electronic housing	with strain relief plate
	34020-		

36	61800	Electronic housing lid	
37	34020-06500	Combi connection cover	
38	34030-18200	Electronic CB 4/ 4 E	
38	34030-18400	Exchange-Electronic CB 4/ 4 E	until return of part the original price will be charged
39	34010-05900	Fuse 10 AT, H	
40	34020-62500	Cable harness CB 4 / 4 E	c/w pos.40a
40a	34020-57000	Earth cable - flint ignitor	see info
41	34020-62800	Holder thermostat plate device	
42	34020-14900	Insulating plate for thermostat plate	
43	34020-63500	Thermostat plate device CB 4 / 4 E	combustion air temperature, with Holder and insulating plate
44	00000-00001	not available	Solenoid coils high and low, replaced art.-no. 34020-62500
45a	34020-59000	Solenoid valve	from 05/2013, with sealing bracket, coated and screws
45b	34020-63000	Solenoid valve	until 04/2013, with sealing bracket, coated and screws
46	34020-52900	Sealing bracket, coated	
47	70000-54600	Set coil holders	
48	34020-03500	Heat conducting plate	
49	34020-63200	Water temperature sensor/switch cable harness	