

REQUIRED DATA FOR AUXILIARY AIR SUSPENSION FOR AL-KO AXLES

Fiat / Peugeot / Citroën

Mercedes Benz

Brand:

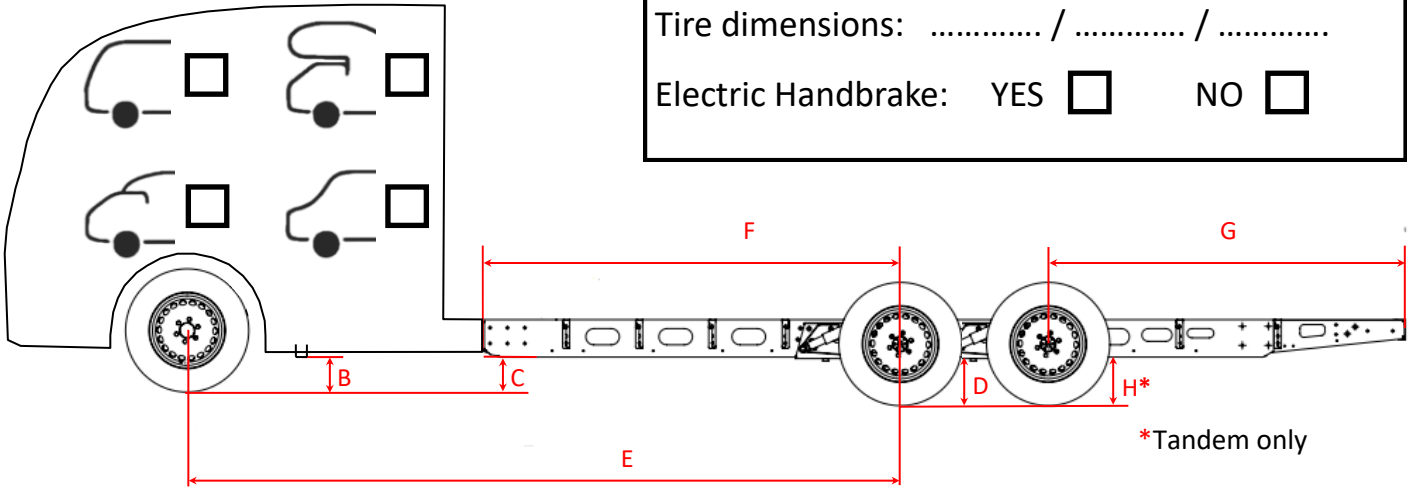
Date:

VIN Vehicle:

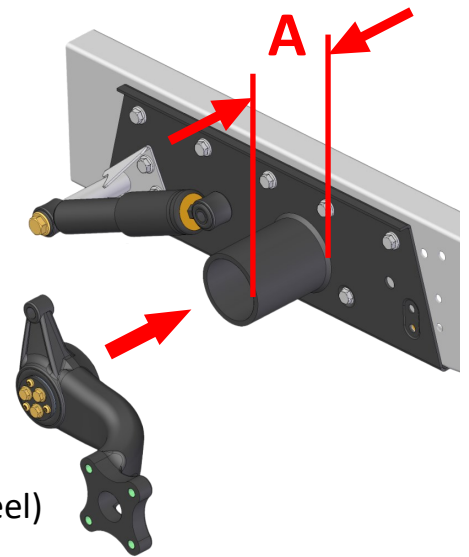
Year of construction:

Tire dimensions: / /

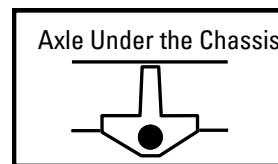
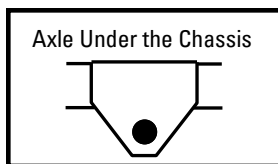
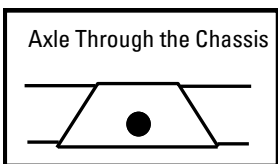
Electric Handbrake: YES NO



- A =(Protrusion of the axle)
- B =(height jack point)
- C =(Under side Alko chassis at the last bolt)
- D =(Under side Alko chassis behind the rear wheel)
- E =(wheel base)
- F =(Length Alko chassis till the rear wheel)
- G =(Length of the rear wheel to the rear)
- * H =(Under side Alko chassis behind the second rear wheel)



Which type of axle:



IMPORTANT WARNING!

NO AIR ASSIST AVAILABLE FOR "UP GOING CHASSIS"!

ADD ALWAYS SOME PICTURES OF YOUR AXLE

